

Quick Glove

User Manual



Photography: Jonas Wall

www.sitech.se

SITECH®
INNOVATIVE SAFETY SOLUTIONS – MADE IN SWEDEN

Quick Glove - User manual

We want to congratulate you on the purchase of the Quick Glove, a Dry Glove System developed and manufactured by SI TECH in Sweden.

Quick Glove is an easy to use, genuine Dry Glove solution. Through the modular system of docking platforms, such as the Quick Clamp and Quick Cuff, you have the freedom to choose the solution that fits your needs.



Quick Glove (complete)



Spanner Rings

Components

The system itself consists of four components per arm:

- Connecting Rings
- Release Rings
- Black and blue Spanner Rings
- O-rings

Benefits

- Easy donning and doffing.
- Opportunity to use a variety of Dry Gloves.
- Connects to the Quick Cuff and Quick Clamp attachment platforms.
- Heavy duty components.

Important information

- Always dive the Quick Glove System with seals installed.
- The different Spanner Rings included in the package allows a variety of gloves to be fitted onto the Quick Glove System. The different Spanner Rings are color coded which indicates various thickness. You simply choose the thickness best fitted for your the glove of your choice.

1. Docking platforms

Innovative docking platforms makes the Quick Glove extremely versatile. Below you will find the platforms currently available.



Docking Ring



Spanner Rings



- Quick Clamp - Docking system for latex seals fixed to the suit.
Quick Clamp makes your drysuit compatible with the Quick Glove system. Attaches to the latex seals of the drysuit without tools or glue. Comes with a variety of Spanner Rings suited for a variety of seals.



Wrist Ring



Stiff Ring

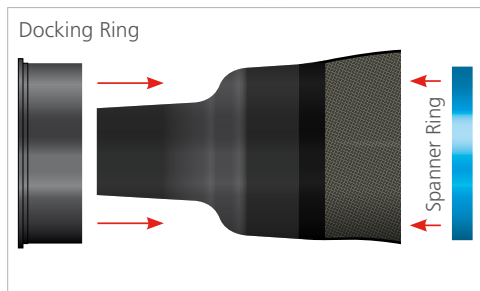


- Quick Cuff - Modular Quick Change Solution
Quick Cuff turns your drysuit into a modular platform able of carrying a variety of different seals as well as the possibility of changing a torn or broken seal in minutes without tools or glue. It is also fully compatible with the Quick Glove System and the Glove Lock QCP system.
Note that the Wrist Ring has to be glued onto the suit.

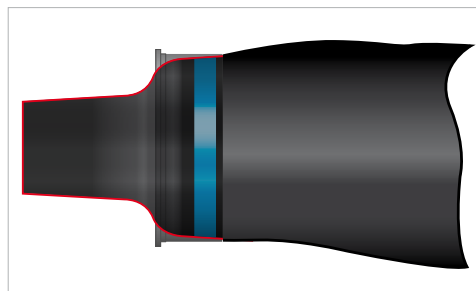
This manual does not address the topic of gluing/attaching the Wrist Ring of the Quick Cuff to your drysuit. Please visit: www.sitech.se for information.

QUICK CLAMP

1a. Mounting



1a.1 Position the Spanner Ring inside of the latex seal. Thread the Docking Ring over the seal and use both hands to press the Docking- and Spanner Rings together. This assembly must not be on top of the suit material (only clamp seal between assembly).



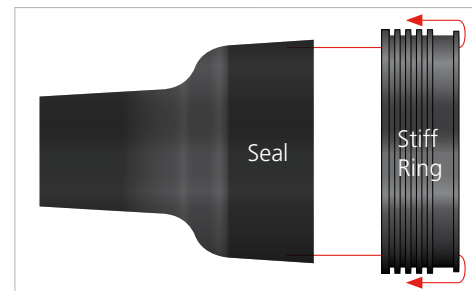
1a.2 When you have found the correct Spanner Ring it is of great importance that you press the rings so that the surfaces will align perfectly, 360° around the contact surfaces of the rings. This is to minimize risk of leakage and fixation problems.



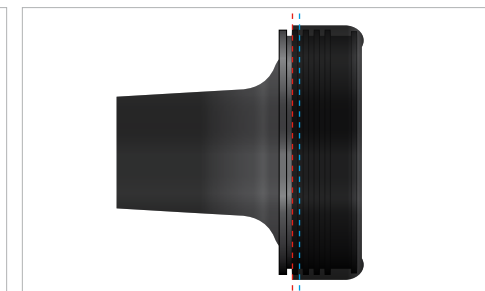
The red dotted line indicates the approximate rear position of the Spanner Ring. This position might differ a little bit depending on the thickness of the latex seal.

QUICK CUFF

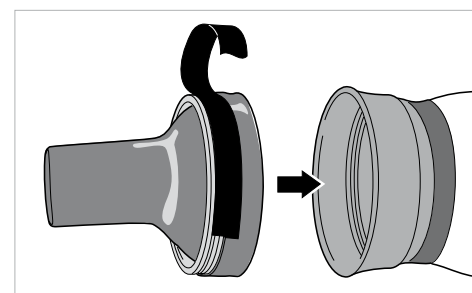
1b. Mounting seals



1b.1 Carry the seal through the Stiff Ring and invert the rear section of the seal to the outside of the Stiff Ring. Position the rear end of the seal as the illustration shows.

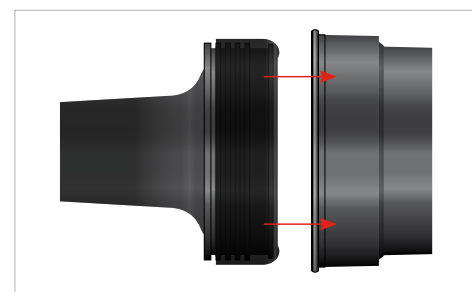


Seal position: The red, dotted line indicates the final position of latex seals. The blue, dotted line indicates the final position of silicone seals.
NOTE: The seal must be placed evenly around the Stiff Ring – no bumps or gaps.



A tips for mounting of latex seals:
The latex seal can be secured with flexible tape before insertion into the Wrist Ring, to prevent the seal from sliding. Make sure the seal covers the locking groove.

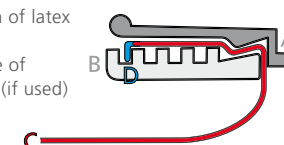
1c. Attach to Wrist Ring



Cut out section of assembly shows how the the components shall be aligned when assembled correct.

- A. Wrist Ring
- B. Stiff Ring
- C. Final position of latex seal (if used)
- D. Safety flange of silicone seal (if used)

NOTE: Seal must be used at all times.

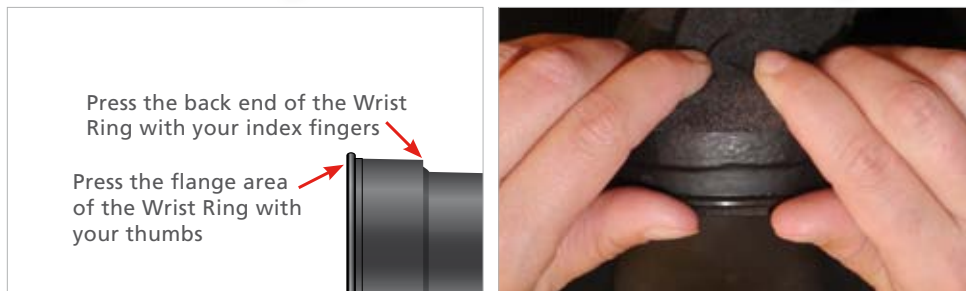


1c. Attach to Wrist Ring



1c.1 Initiate the assembling process by holding the seal as the left image shows. This is just to align the rings and to ensure the seal stays in position for the first 2/3 of the travel length. Hold the front end of the seal in a firm grip when pressing the seal assembly into the Wrist Ring. Ensure that the inverted part of the seal does not slip from its position while being pressed into the Wrist Ring. For the last part of the assembly you need to change grip and work as the right image shows. Stretch the seal using the force direction of the arrow, at the same time you should press the Stiff Ring into the assembly. Repeat this operation in several steps 360° around the rings until the seal assembly reaches the bottom of the Wrist Ring.

1d. Detaching the Quick Cuff assembly



1d.1 If for some reason you need to remove the Stiff Ring and/or change seal; simply press the Wrist Ring as hereby explained. The arrows in the illustration show the directional force needed to release the assembly. Do not use sharp tools or similar for this procedure as you might damage both the drysuit and the Wrist Ring.

2. Attach glove



2.1 When attaching gloves you will need the Quick Glove assembly, Spanner Rings and a pair of Dry Gloves. (Gloves are optional and are not included in the different Quick Glove packages.) The Quick Glove is delivered with blue and black Spanner Rings. These have different thicknesses, so that you can choose from different models of gloves.



2.2 Put the Spanner Ring inside of the glove. Fold the glove collar and adjust it so that you avoid wrinkles. Position the Spanner Ring according to the armlength of your drysuit with the Quick Glove attachment platform mounted.

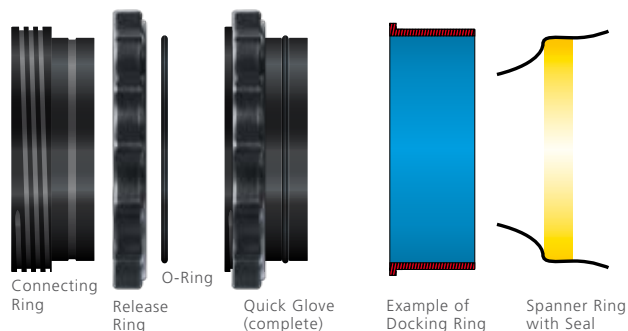


2.3 Put the Quick Glove assembly onto a flat surface and press the Glove/Spanner Ring into the Connecting Ring. Use even force around the assembly and check for creases. Ensure that the Spanner Ring aligns in height with the top of the Connecting Ring.

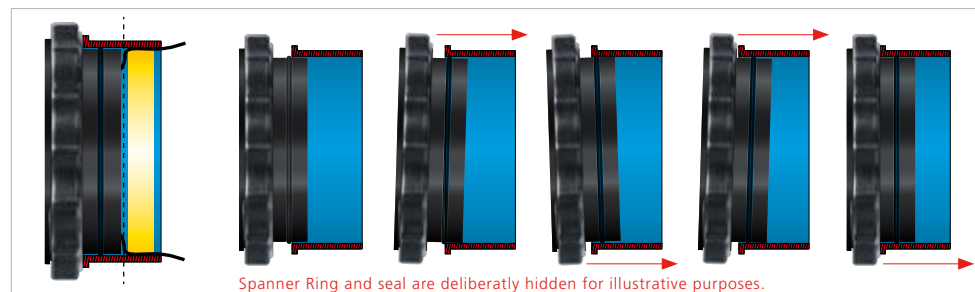


2.4 Check the strength of the assembly by pulling the glove away from the Rings. In the case you are using the black Spanner Ring and the assembly does not hold you can solve this problem by using the blue Spanner Ring which is thicker. In the case you are using the blue Spanner Ring and the assembly does not hold you can solve this problem by using a thin layer of tape on the Spanner Ring.

3. Donning



In this manual we have chosen to use illustrative cross sections of the Quick Clamp attachment platform to exemplify how to attach and detach the Quick Glove system before and after the dive.



The Quick Glove rings are connected by a thread which moves them laterally in opposite direction of each other allowing detachment of the system. When attaching the system, the Release Ring must be turned in to its distinct stop position on the leading edge of the Connecting Ring. **Note that the Release Ring is a release aid**, not to be used for locking or for attaching. When attaching the Quick Glove ring to the attachment platform it is of greatest importance that you do this gently in several steps. Otherwise you might damage the O-ring or have the O-ring pressed out of its groove. Make sure the O-ring is free from lubricant that may attract dirt.



3.1 Put your hand through the seal and fit the Equalization Tube between seal and wrist. Make sure the Equalization Tube reaches all the way through the seal.



3.2 Put on the Quick Glove with glove and position the Quick Glove so that the O-ring meets the Stiff/Docking Ring of the attachment platform.



3.3 Press the system together step by step by applying gentle force on one side letting the O-ring travel inside of the attachment platform.



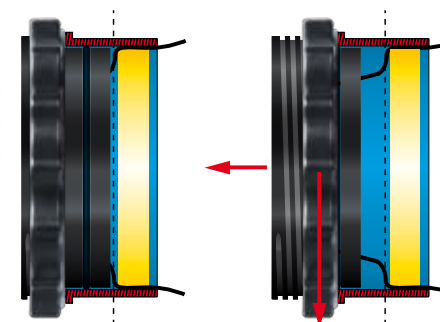
3.4 Change grip and apply force on the opposite side of the ring so that the O-ring disappears into the attachment platform.



3.5 Apply force to press the system together bit by bit. Ensure that the Quick Glove assembly has bottomed in the attachment platform.

4. Doffing

For detachment of the system you should rotate the outer ring as displayed by the vertical arrow. This will force the inner ring to travel out of the attachment platform until completely released.



These are suggested instructions only

Whatever method chosen, be certain the wrist seal, be it latex or silicone, is properly treated. Always make a leakage and stress test on your drysuit seals before diving.



SI TECH
INNOVATOR OF HIGH PERFORMANCE
DRYSUIT COMPONENTS

Troubleshooting

The Quick Glove has a user friendly design but needs to be handled properly to perform as intended. Following explanations have been made using the Quick Clamp attachment platform. Some of the problems explained can occur, as well as be solved in the same ways, when using the Quick Cuff as an attachment platform.

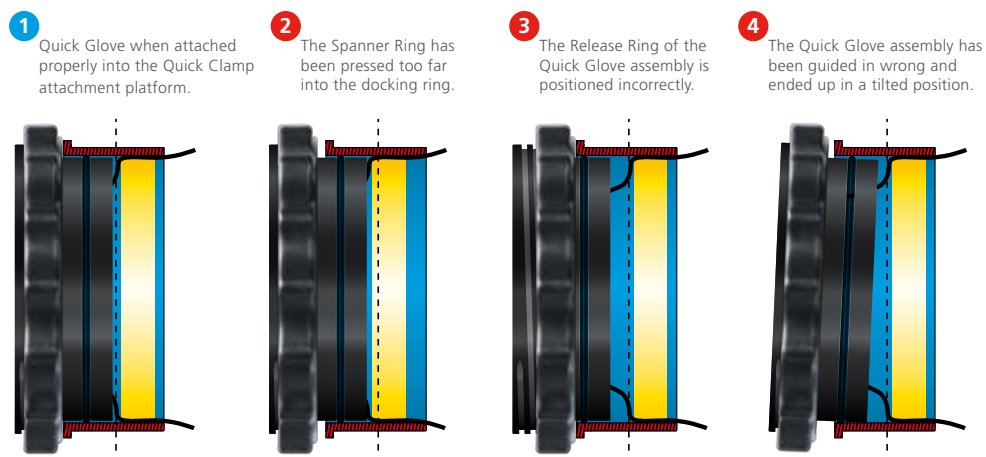


Illustration no.1 is correct! The other examples are incorrect.

- 1
 - The Release Ring of the Quick Glove assembly is threaded against its stop position on the leading edge of the Connecting Ring.
 - The Release Ring is in contact with the flange of the Quick Clamp.
 - The Spanner Ring is positioned so that the Quick Glove assembly can use full travel length into the Quick Clamp compartment.
- 2 This scenario prevents the Quick Glove assembly from reaching full travel length into the Quick Clamp attachment platform. This will most likely cause instability that can lead to leakage and in worst case cause the Quick Glove to be fully released and fall off.
- 3 This scenario will most likely cause instability that can lead to leakage and in worst case cause the Quick Glove to be fully released and fall off.
- 4 This scenario will most likely cause instability that can lead to leakage and in worst case cause the Quick Glove to be fully released and fall off.

In all cases when you notice that something is wrong, we recommend you to detach the Quick Glove assembly from the docking ring. Solve the issue that caused the problem and attach the system again.



Maintenance and Storage

- Ensure that all components are clean and properly lubricated before diving the system.
- Disassemble and rinse all parts thoroughly in fresh water to remove sand and dirt.
- Make sure that the O-ring and the groove in the Connecting Ring is clean before re-fitting the O-Ring. **Note:** O-rings must be changed if damaged or contaminated by silicone lubricants.
- Disassemble the system when stored for longer periods.

Spare Parts

Item no.	Item	Item no.	Item
Quick Glove		Quick Cuff	
60231	Connecting Ring	60420	Wrist Ring
60232	Release Ring	60200	Stiff Ring
80185	O-Ring	Quick Clamp	
61357-20	Paraffin Wax	60931	Docking Ring
60211	Spanner Ring, black: for thick fabrics	60214	Spanner Ring, yellow: for thick fabrics
60212	Spanner Ring, blue: for medium fabrics	60219	Spanner Ring, green: for thin fabrics
60233	Pressure Equalization Tube	60212	Spanner Ring, blue: for medium fabrics
Seals			
61150	Latex Seal, X-Small (wrist circumference 12,5-14 cm / 5,0-5,5")		
61130	Latex Seal, Small (wrist circumference 13,5-16 cm / 5,4-6,4")		
61100	Latex Seal, Medium (wrist circumference 15,5-18 cm / 6,2-7,4")		
61090	Latex Seal, Large (wrist circumference 18-21 cm / 7,2-8,4")		
61025	Silicone Seal, Standard (wrist circumference 13,2-17 cm / 5,2-6,7")		
61026	Silicone Seal, Small (wrist circumference 10,6-15 cm / 4,2-5,9")		

*Our products have
 been trusted by divers
 for more than 40 years*

SI TECH is a Swedish company focusing on manufacturing and marketing of components for protective suits such as; drysuits, rescue suits and garments designed for diverse hostile environments. SI TECH is rooted in the diving industry which is still the company's core market. The company was founded in 1971 by the diving pioneer Stig Insulán.

Core products

Modular Quick Change Solutions, Drysuit Valves, Drysuit seals, Dry Glove Systems, Gas Inflation Systems and special components for military purposes

Inhouse capabilities

Development and production is made in-house at our facilities in Brastad, Sweden. Inhouse competencies include: CAD construction, Injection Molding, CNC Machining, EMD Machining, Assembly, Sales and Marketing, Logistics and Administration. Our team of engineers, sales and marketing personell have close co-operation with the distributors and end-users of our products.

Core Market Areas



