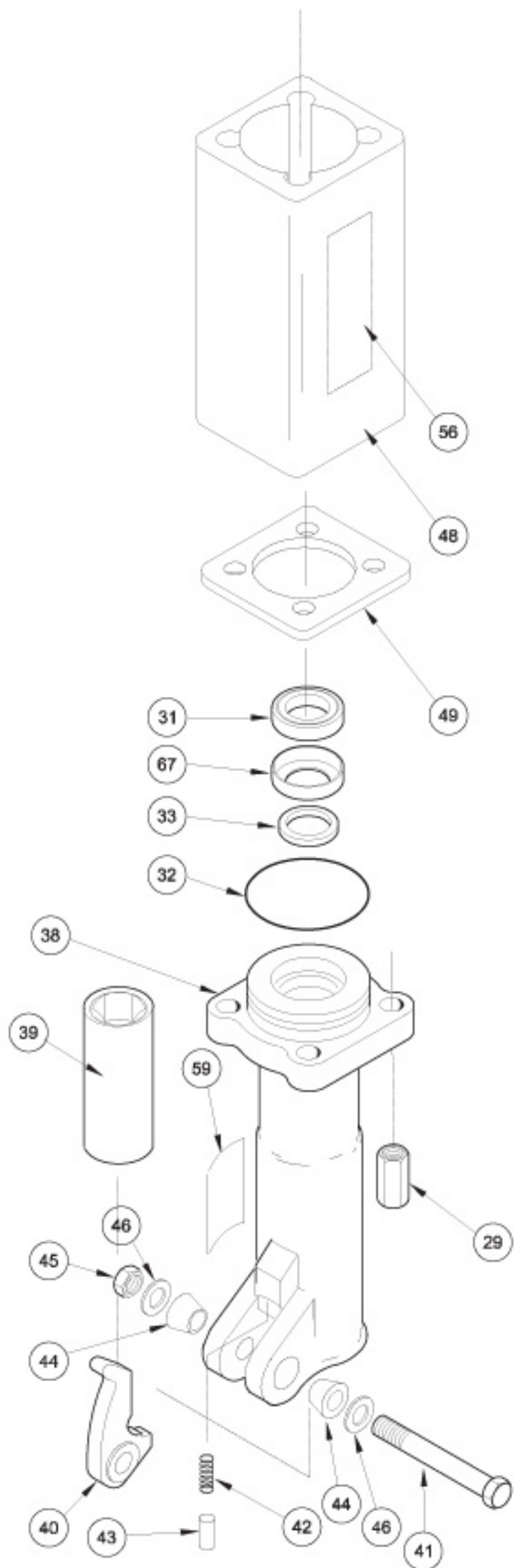
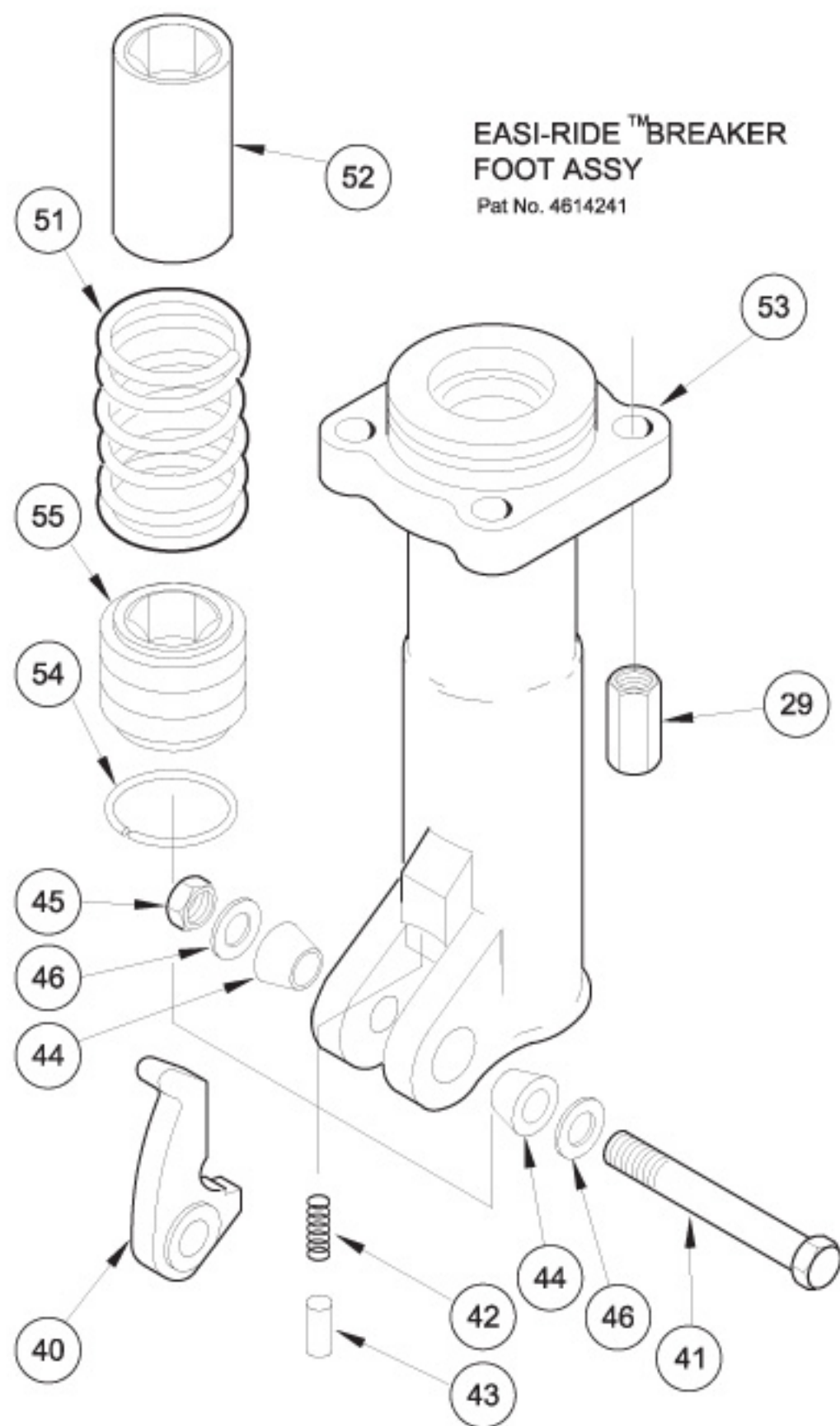


Location	Part Number	Description
1	06185	HANDLE ASSEMBLY
1	11435	HANDLE
2	04050	VALVE CAP ASSEMBLY
3	04051	CHARGING VALVE
4	04052	O-RING 3-914 R17 90D BUNA
5	04053	TRIGGER
5	11434	TRIGGER
6	00844	SPIROL PIN 1/4x1-5/8 HCP
7	04054	O-RING 2-233 R17 90D BUNA
8	22891	SPIROL PIN 3/16x1-5/8 HCP
9	04055	WASHER
10	04056	ROD WIPER 5/16 X 9/16 X 3/16
11	00293	O-RING 2-115 R17 90D BUNA
12	01362	O-RING 2-011 R16
13	04057	BUSHING
14	04058	SPRING
15	04059	ACCUMULATOR DIAPHRAGM
16	04060	ACCUMULATOR CYLINDER
17	05309	ACCUM CHAMBER
17	06889	ACCUMULATOR ASSEMBLY-BR87
18	05301	BACK-UP WASHER
19	05307	CUP SEAL
20	04064	WASHER
21	04065	AUTOMATIC VALVE
22	04066	AUTOMATIC VALVE BODY
23	04571	PUSH PIN
24	04067	PUSH PIN
25	04068	FLOW SLEEVE TUBE
26	04069	FLOW SLEEVE
27	16812	PISTON
28	04071	SIDE ROD
30	07890	ROLL PIN 3/16 X 1.5
34	04077	VALVE SPOOL OC
35	02494	HANDLE GRIP
36	05465	ORIFICE PLUG
47	09546	PIGTAIL HOSE ASSEMBLY 18" OAL
57	28322	STICKER "CE" 25MM
58	11207	CIRCUIT TYPE D STICKER
60	66656	GUARANTEED SOUND POWER LEVEL
61	28409	COMPOSITE SAFETY DECAL
63	10180	CAUTION STICKER
64	01605	O-RING 3-908 R17 90D BUNA
65	03973	COUPLER,3/8MALE 3/8NPT FL.FACE
66	03972	COUPLER,3/8FEM. 3/8NPT FL.FACE
66	03971	FF COUPLER SET 3/8 BODY 3/8NPT

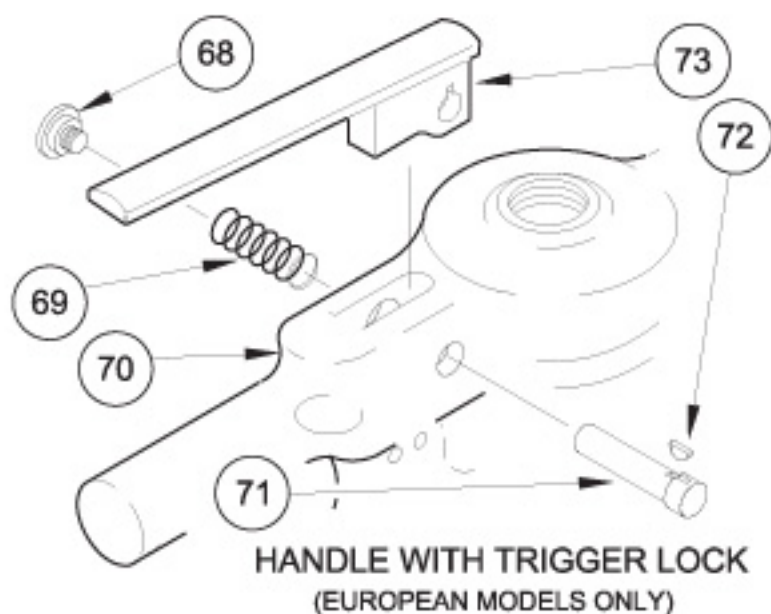


Location	Part Number	Description
29	04075	SIDE ROD NUT
31	34127	CUP SEAL
32	04073	O-RING 2-231 R17 90D BUNA
33	04074	ROD WIPER
38	05484	BREAKER FOOT ASSY BR87
38	07523	FOOT ASSY-BR87 1-1/8 EZ RIDE
38	07486	FOOT ASSY-BR87 1-1/4 EZ RIDE
39	04081	HEX BUSHING 1 1/8
39	04597	HEX BUSHING 1-1/4
40	01837	LATCH CASTING
41	04983	FOOT LATCH BOLT
42	01744	SPRING (RATE 248# INS STRESS
43	01745	PIN
43	08411	DETENT
44	01269	SLEEVE
45	04984	STOP NUT
46	04985	SPRING WASHER
48	05265	FLOW SLEEVE HOUSING
49	24666	ELASTOMERIC SPACER
56	07892	NAME TAG-BR87
56	28381	TAG NAME BR87
59	11208	HEX SHANK LENGTH STICKER
67	05464	SEAL INSERT



EASI-RIDE™ BREAKER
FOOT ASSY
Pat No. 4614241

Location	Part Number	Description
29	11207	CIRCUIT TYPE D STICKER
40	03973	COUPLER, 3/8 MALE 3/8 NPT FL. FACE
41	03972	COUPLER, 3/8 FEM. 3/8 NPT FL. FACE
42	04068	FLOW SLEEVE TUBE
43	01745	PIN
43	08411	DETENT
44	04063	CUP SEAL
45	04054	O-RING 2-233 R17 90D BUNA
46	04069	FLOW SLEEVE
51	26596	ACCUMULATOR VALVE BLOCK
52	07517	HEX BUSHING 1-1/8
52	07518	HEX BUSHING 1-1/4
53	26449	ACCUMULATOR PLUG
54	04597	HEX BUSHING 1-1/4
55	08115	COLLAR SUPPORT ASSY- 1-1/8
55	08116	COLLAR SUPPORT ASSY- 1-1/4
68	01003	BUTTON
69	11430	COMPRESSION COIL SPRING
70	11435	HANDLE
71	11431	LOCK PIN
72	11432	KEY
73	11434	TRIGGER



HANDLE WITH TRIGGER LOCK
(EUROPEAN MODELS ONLY)