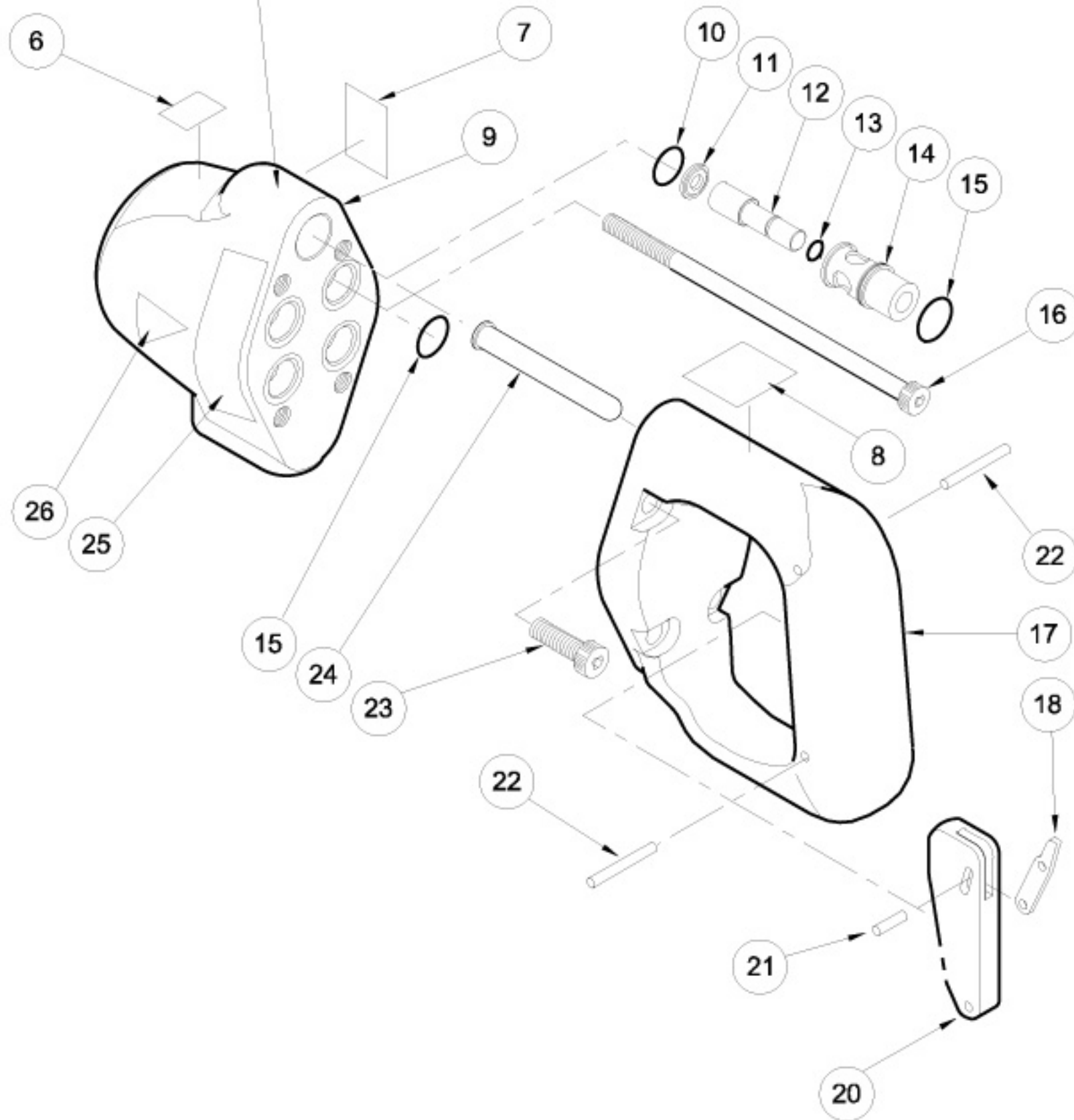
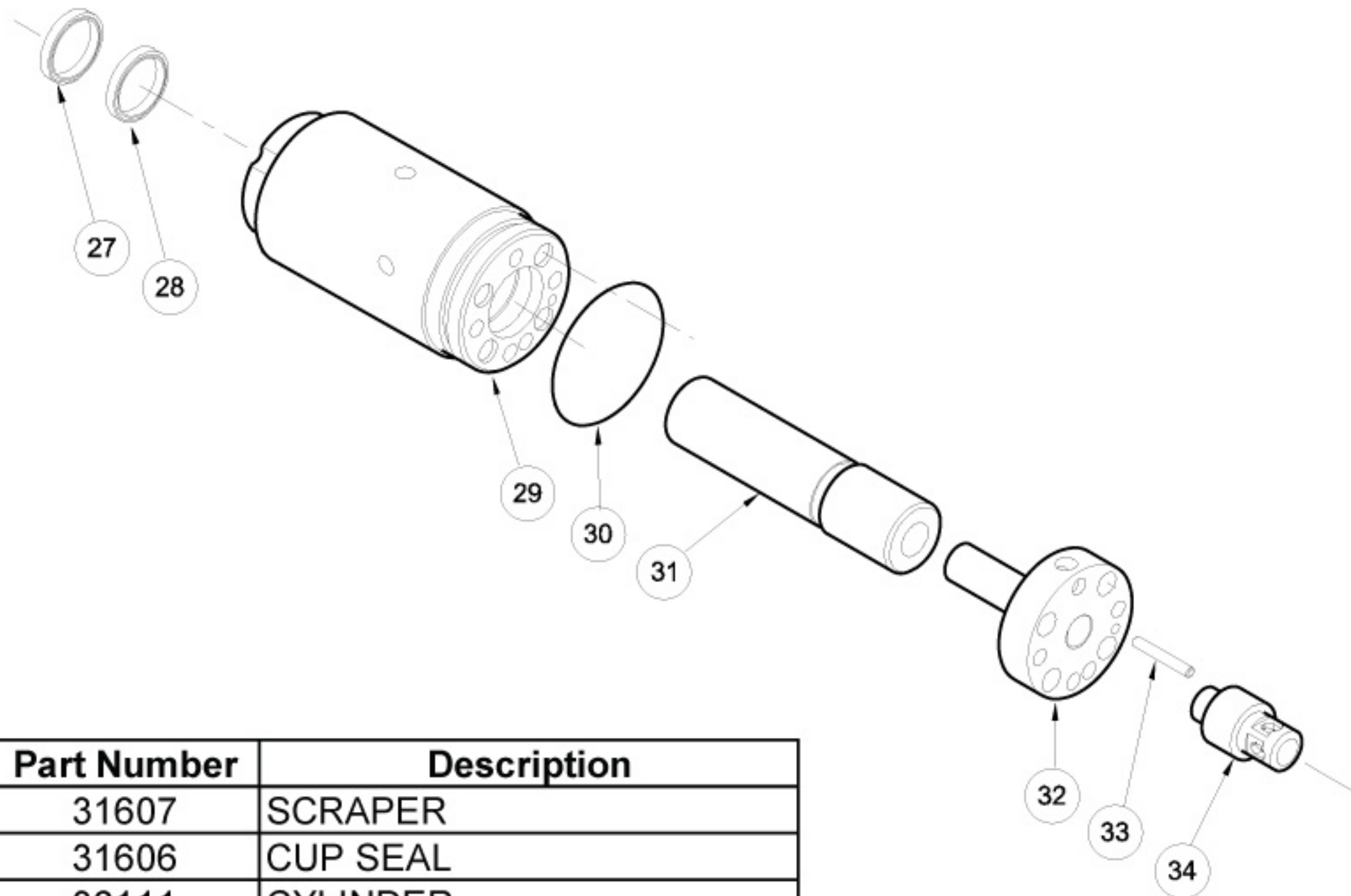


SERIAL NO./MODEL NO.



Location	Part Number	Description
6	28323	STICKER "CE" 12MM
7	66654	GUARANTEED SOUND POWER LEVEL
8	28409	COMPOSITE SAFETY DECAL
9	35544	BODY
10	00016	O-RING 2-015 R16 70D BUNA
11	33268	INSERT
12	31583	VALVE SPOOL
13	31650	O-RING, .176x.040
14	31597	VALVE SLEEVE
15	01211	O-RING 2-016 R16 70D BUNA
16	24871	HSHCS 5/16-18UNC x 3 ZINC PL
17	35553	HANDLE NSI SUB 62209
18	62197	TRIGGER ROD
20	62198	TRIGGER
21	00878	DOWEL PIN HARDENED AND GROUND
22	31602	SPIROL PIN 5/32 x 1.25 HCP
23	13815	HSHCS 5/16-18UNC x 1 SST
24	31582	TRIGGER PIN
25	36112	NAME TAG, CH15 (8GPM)
26	11207	CIRCUIT TYPE D STICKER



Location	Part Number	Description
27	31607	SCRAPER
28	31606	CUP SEAL
29	36111	CYLINDER
30	07572	O-RING 2-135 R16 70D BUNA
31	33520	PISTON
32	33521	TUBE
33	35546	DOWEL PIN 5/32 X 1.500
34	31592	SHUTTLE VALVE

Location	Part Number	Description
36	65835	CHUCK END, CH15
38	03210	RETAINING NOSE LINER
39	33294	FOAM GRIP
40	65836	SOLID RETAINER
41	65837	RETAINER SPRING
45	35976	CAPSCREW, 1/4X1.500 HSH GRD 8
46	38597	RETAINING RING
47	01412	PIGTAIL HOSE ASSY 12 INCH
48	03971	FF COUPLER SET 3/8 BODY 3/8NPT

