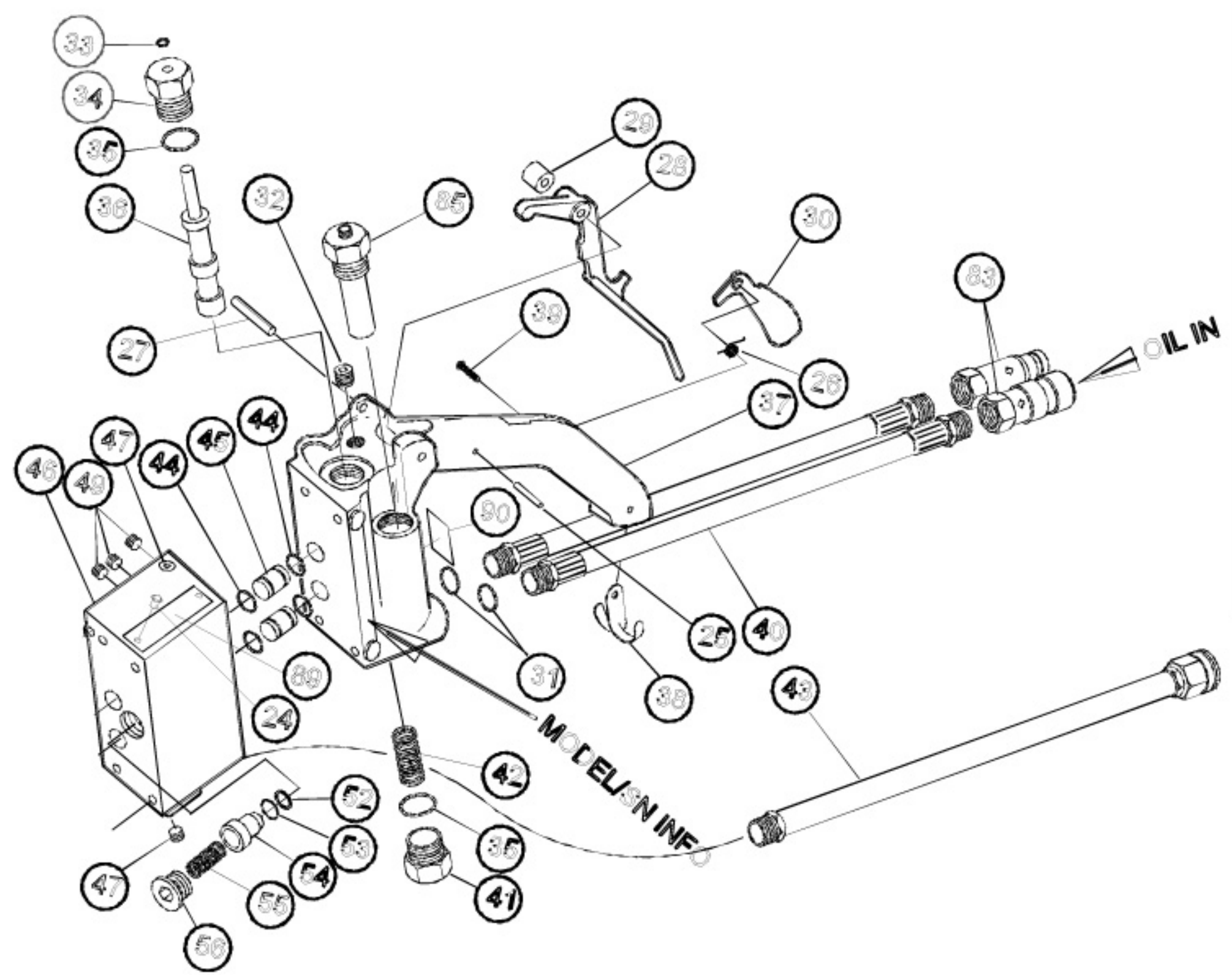
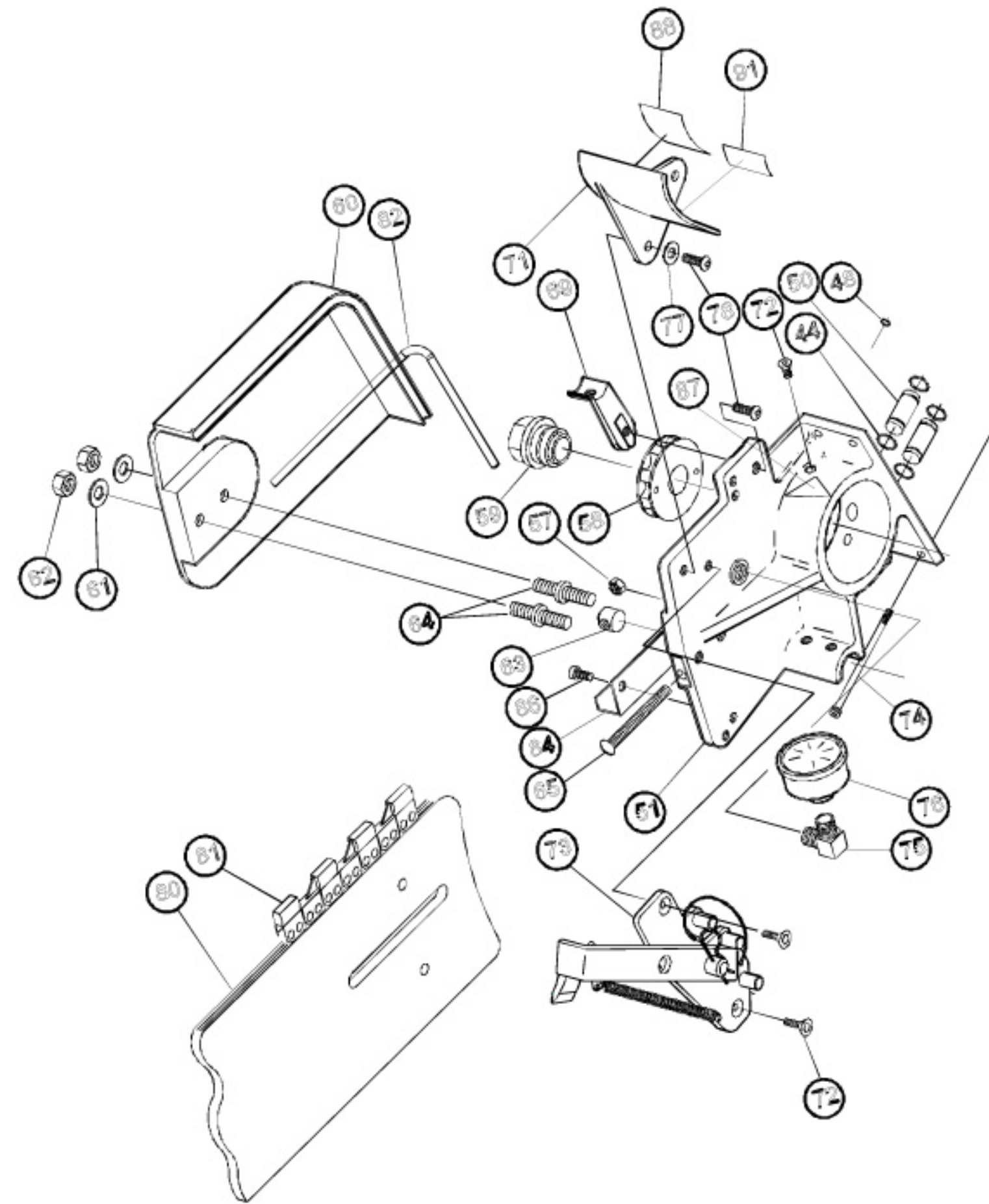


No.	Part #	Description
1	00208	BOLT
2	06861	GEAR HOUSING ASSEMBLY
3	06316	BUSHING 7/16 ID X 1/2 LONG
3	06316	BUSHING 7/16 ID X 1/2 LONG
4	06838	DRIVE GEAR
5	06840	IDLER SHAFT
6	06839	IDLER GEAR
7	00713	DOWEL PIN
8	00178	O-RING 2-034 R16 70D BUNA
9	21417	FRONT BEARING HOUSING
10	00171	O-RING 2-017 R16 70D BUNA
11	00669	QUAD RING Q-4014-366Y
12	19884	SEAL GLAND
13	00170	RETAINING RING
14	06881	NEEDLE ROLLER
15	23752	MOTOR SHAFT U/W
16	00148	BEARING
17	02905	O-RING 2-131 R16 70D BUNA
18	03104	KEEPER SEAL & BEARING
19	03110	ROTARY SHAFT SEAL
20	00633	RETAINER RING
21	01211	O-RING 2-016 R16 70D BUNA
22	03280	SEAL RACE SPACER
23	20472	RETAINING RING
66	02649	HANDLE BAR RETAINER
67	02764	HSHCS 5/16x3/4 SST
68	02643	NEOPRENE WASHER
70	23754	HANDLE BAR
79	03790	GPM STICKER 10-14 2000PSI

No.	Part #	Description
24	02004	DRIVE PIN-NSI
25	03278	ROLL PIN
26	22701	TORSION SPRING
27	31804	ROLL PIN 1/4 x 2 STAINLESS
28	22707	TRIGGER
29	02920	ON-OFF VALVE SPACER
30	22704	SAFETY CATCH
31	01605	O-RING 3-908 R17 90D BUNA
32	01219	PIPE PLUG 1/4 NPT HSH SST
32	08104	O-RING BOSS PLUG 3/8 SAE
33	00112	QUAD RING Q-4010-366Y
34	02931	VALVE CAP (ON-OFF)
35	01604	O-RING 3-910 R17 90D BUNA
36	02925	VALVE SPOOL OC-CW
37	28552	VALVE HANDLE ASSY
38	20459	HOSE CLIP
39	35963	SCREW 1/4-20x1-1/4 OVAL HEAD
40	06830	HOSE WHIP-100R1+ 18"-8NPT-8SAE
41	03010	PLUG ASSY KIT
42	02916	COMP COIL SPRING
43	23755	WATER HOSE ASSY
44	00175	O-RING 2-014 R17 90D BUNA
45	00174	OIL TUBE
46	20453	EXTENSION HOUSING
47	00961	PIPE PLUG 1/8 NPT HEX SOCKET
49	22717	PIPE PLUG 1/16-27 HSH STNLS
52	25260	QUAD RING Q4012-477B
53	01211	O-RING 2-016 R16 70D BUNA
54	20463	WATER VALVE
55	20458	SPRING
56	350237	HOLLOW HEX PLUG 8 HP5ON-S
83	03971	FF COUPLER SET 3/8 BODY 3/8NPT
85	25635	FLOW REGLTR.CRTRDG. NSIseenote
90	29530	SOUND POWER LEVEL #108





No.	Part #	Description
44	00175	O-RING 2-014 R17 90D BUNA
48	00018	O-RING 2-013 R17 90D BUNA
50	02912	OIL TUBE
51	22713	CHAIN SAW ADAPTER
57	22752	HEX NUT 5/16-18 ESNA STNLS
58	20470	DRIVE SPROCKET
59	20471	TRANTORQUE ADAPTOR ICS#70012
60	22711	CHAIN GUARD
61	02766	PLAIN WASHER
62	03276	NUT
63	22702	BAR ADJUSTMENT NUT
64	20465	STUD
65	22714	SCREW,5/16-18x2.75 FIL HD,STNL
69	20461	HANDLE STRUT ASSY
71	07473	HAND GUARD
72	03006	CAPSCREW, 5/16-18x3/4 HEX SOC.
73	23176	WALL WALKER DS11
74	01758	SCREW
75	22716	ST ELBOW 1/8NPT,PARKR2202P-2-2
76	21550	WATER GAUGE
77	12175	WASHER,5/16"N"SERIES SST
78	22715	CPSCRW,5/16-18x.625,HEX SOC,
80	BAR- SEE BAR ACCESSORIES	BAR- SEE BAR ACCESSORIES
81	CHAIN- SEE CHAIN ACCESSORIES	CHAIN- SEE CHAIN ACCESSORIES
82	20721	CORD STK 3/16DIA R12 NSI 35181
84	22945	CHAIN COVER DS11
86	23196	CAPSREW 5/16-18UNCx3/8 HSBHSST
86	23517	SPROCKET WRENCH DS11
87	12535	CIRCUIT TYPE "E" STICKER
88	28409	COMPOSITE SAFETY DECAL
91	12412	WARNING STICKER-ELECTRICAL