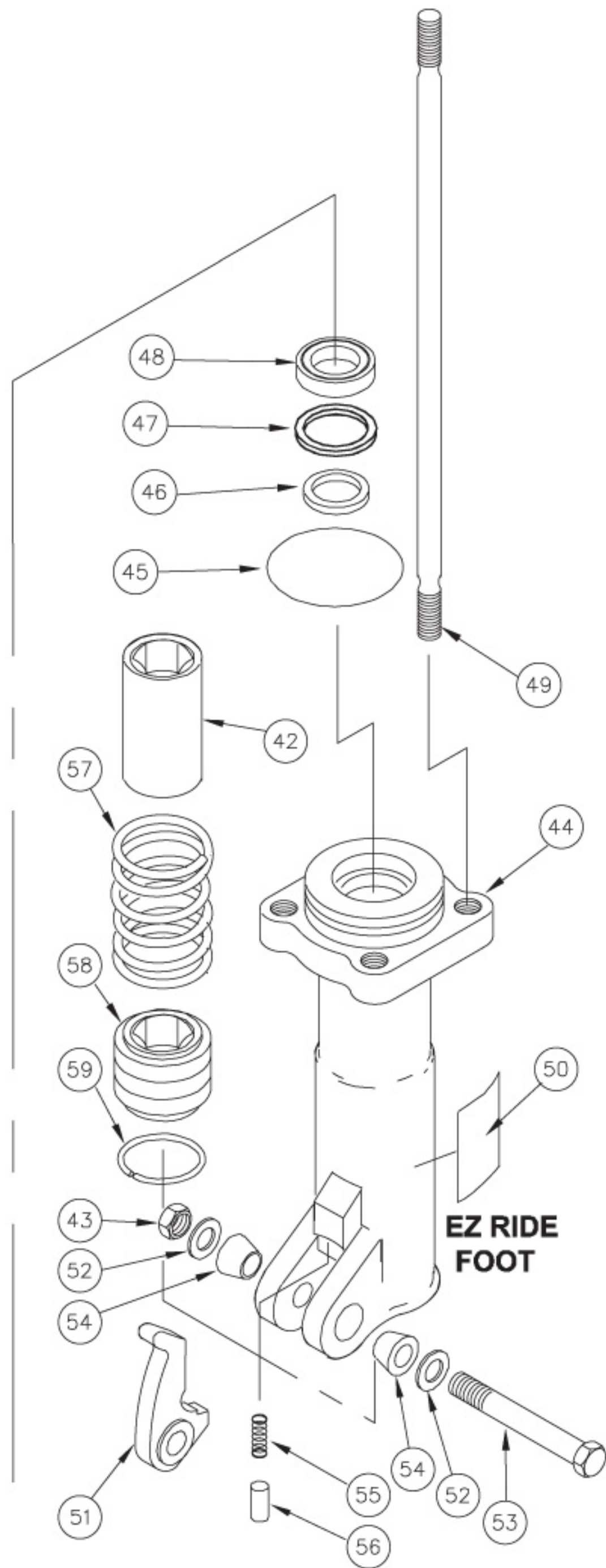


Location	Part Number	Description
1	03971	QUICK DISCONNECT;BRUNING FLUSH FACE COUPLER SET 3/8IN NPT
3	02900	ROLL PIN
4	09546	HOSE ASSY-18IN OAL
4	01652	PIGTAIL HOSE ASSEMBLY 12 INCH NOTE: TWO HOSES REQUIRED
6	01605	O-RING 3-908 R17 90D BUNA
7	04058	SPRING
8	04077	VALVE SPOOL OC
9	04057	BUSHING
10	00293	O-RING 2-115 R17 90D BUNA
11	01362	O-RING 2-011 R16
12	04056	ROD WIPER 5/16 X 9/16 X 3/16
13	07493	O-RING PLUG-MALE
14	20499	CHARGE VALVE
15	02494	GRIP; HANDLE
16	07483	HANDLE
17	07492	SPIROL PIN-1/4 X 1-1/4 HBK
18	07594	TRIGGER LOCK
19	07593	COMP COIL SPRING
20	00224	RETAINER RING
21	04374	LOCK NUT 5/8-18
22	04371	TRIGGER
23	07479	ACCUMULATOR DIAPHRAGM
24	07481	PISTON
25	58601	GUARANTEED SOUND POWER LEVEL
26	28409	COMPOSITE SAFETY DECAL
26	28409	COMPOSITE SAFETY DECAL
27	04605	PUSH PIN
28	11588	ACCUMULATOR ON-OFF VALVE BLOCK
29	07485	FLOW SLEEVE
30	28322	STICKER CE 25MM
31	11207	CIRCUIT TYPE D STICKER
31	11207	CIRCUIT TYPE D STICKER
32	11206	CIRCUIT TYPE C STICKER
33	04381	BACK-UP RING
34	04379	O-RING 2-145 R17 90D BUNA
35	04378	PORTING BLOCK
36	07480	AUTOMATIC VALVE BODY
37	04571	PUSH PIN
38	04382	AUTOMATIC VALVE
39	07487	NAME TAG-BR45
40	05152	DECAL-LOGO/ADDRESS
41	04383	FLOW SLEEVE TUBE

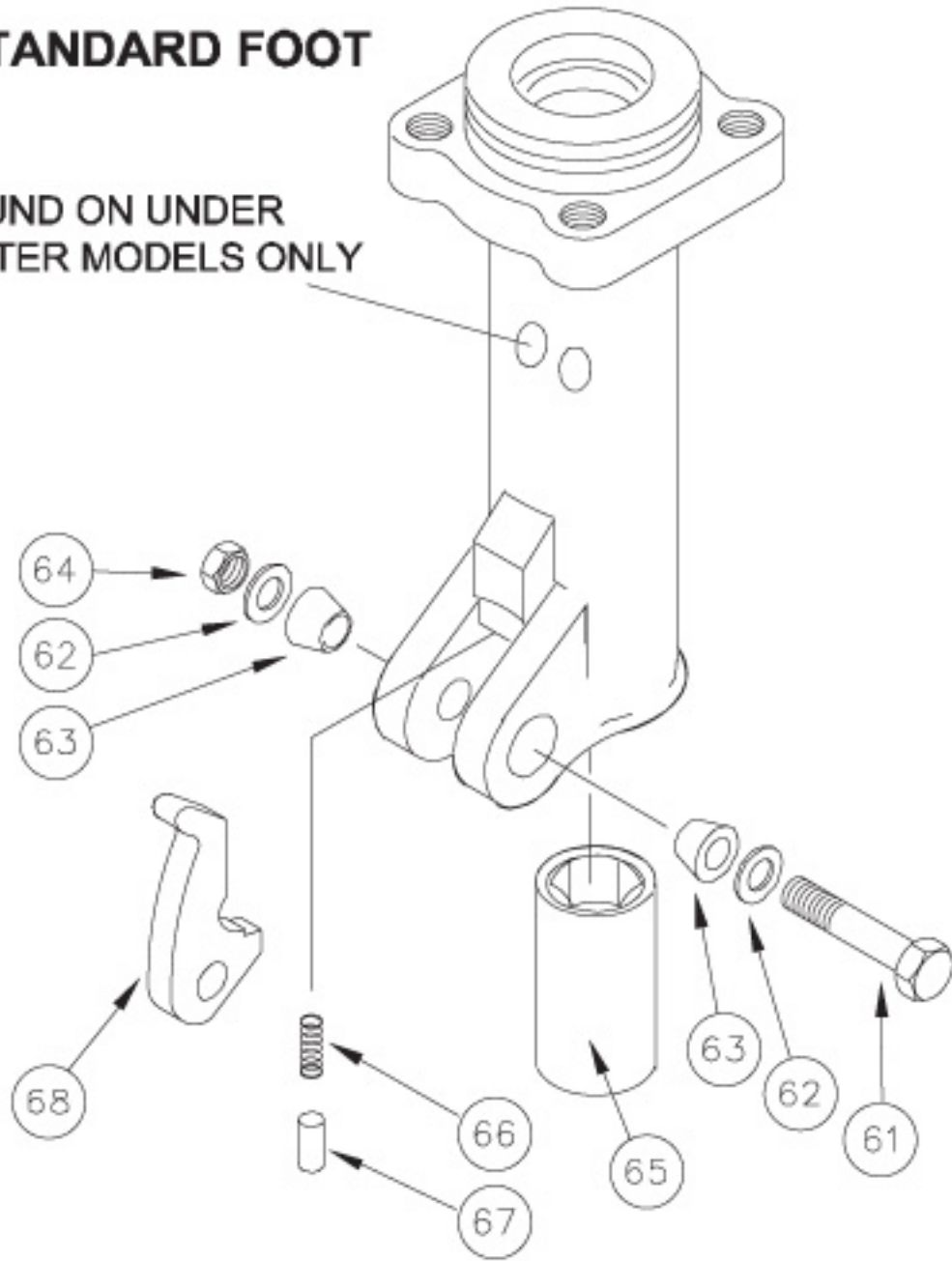


Location	Part Number	Description
42	07518	HEX BUSHING 1-1/4
43	04984	STOP NUT
44	12298	FOOT/INSERT ASSY
45	02022	O-RING 2-228 R16 70D BUNA
46	04387	ROD WIPER
47	04780	BACK UP WASHER
48	04386	CUP SEAL
49	04373	SIDE ROD
50	11208	HEX SHANK LENGTH STICKER
51	01837	LATCH CASTING
52	04985	SPRING WASHER
53	04983	FOOT LATCH BOLT
53	04983	FOOT LATCH BOLT
54	01269	SLEEVE
55	01744	SPRING: RATE 248# INS STRESS
56	08411	DETENT
57	08158	COIL SPRING
58	08115	COLLAR SUPPORT ASSY- 1-1/8
59	07522	RETAINING RING

NOTE: WHEN ORDERING PARTS, USE ITEMS 60 THROUGH 69 FOR UNITS NOT EQUIPPED WITH EASI-RIDE™ BREAKER FOOT ASSEMBLY.

STANDARD FOOT

FOUND ON UNDER WATER MODELS ONLY



Location	Part Number	Description
61	04717	LATCH BOLT
62	04716	SPRING WASHER
63	04985	SPRING WASHER
64	01269	SLEEVE
65	04984	STOP NUT
66	04392	SPRING
67	01744	SPRING: RATE 248# INS STRESS
68	08411	DETENT