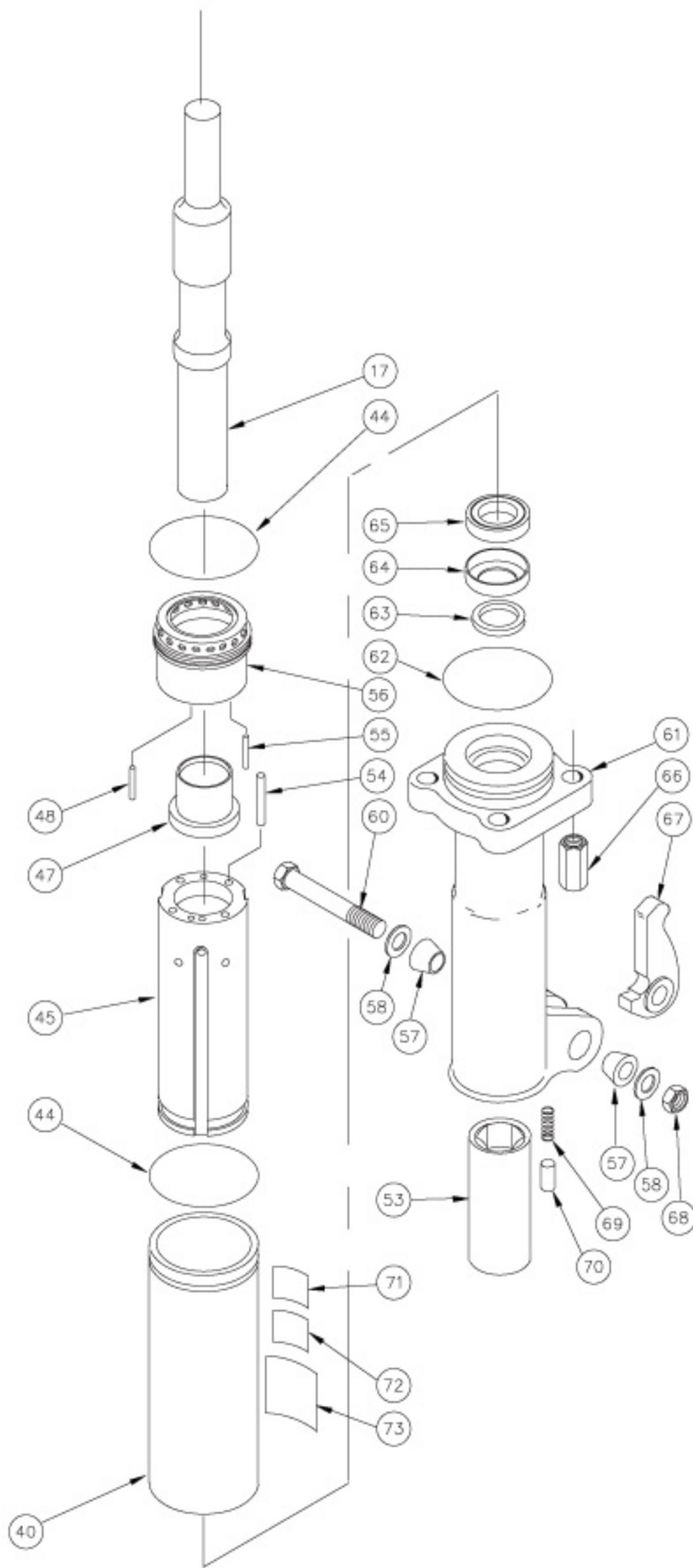
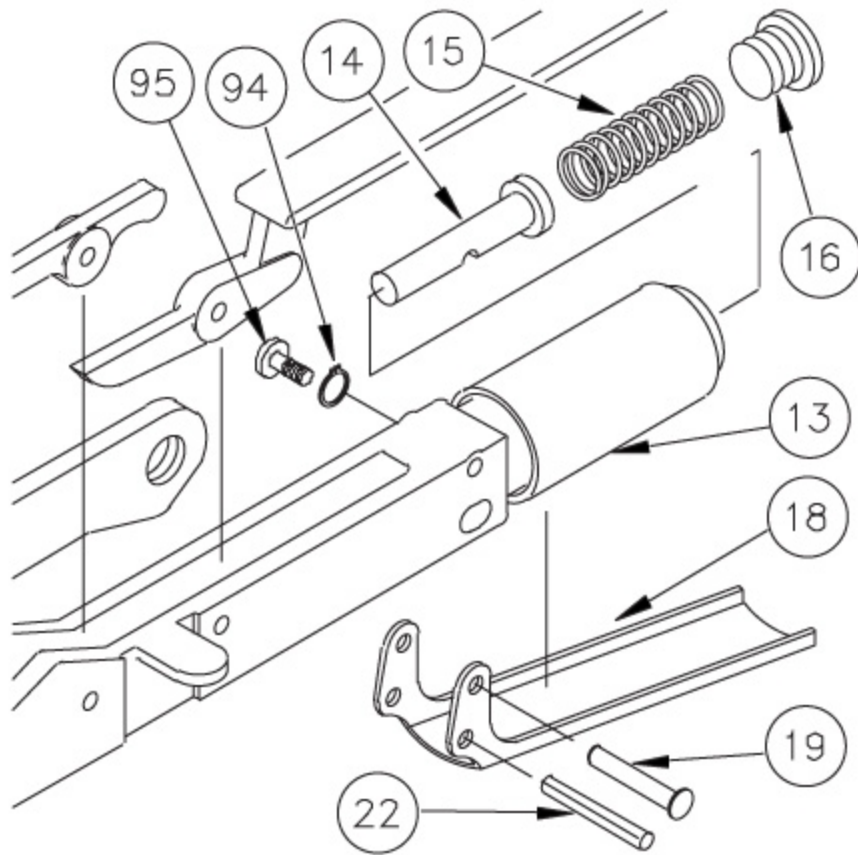


Location	Part Number	Description
1	24067	RETAINING RING
2	04055	WASHER
3	04056	ROD WIPER 5/16 X 9/16 X 3/16
4	04051	CHARGING VALVE
5	01362	O-RING 2-011 R16
6	00293	O-RING 2-115 R17 90D BUNA
7	20515	VALVE SPOOL
8	04058	SPRING
9	07628	HHCS 1/4-20UNCx5/8
10	20511	LEVER
11	28369	HANDLE
12	20502	TRIGGER
13	29045	TRIGGER HANDLE
20	07493	O-RING PLUG-MALE
21	20499	CHARGE VALVE
23	20500	SPIROL PIN-1/4 X 1 MBK
24	20541	SPRING
25	20498	SPRING
26	02494	HANDLE GRIP
27	11207	CIRCUIT TYPE D STICKER
28	01605	O-RING 3-908 R17 90D BUNA
29	09546	PIGTAIL HOSE ASSEMBLY 18" OAL
30	12832	ORIFICE PLUG
31	06891	O-RING 3-912 R17 90D BUNA
32	07493	O-RING PLUG-MALE
33	26452	SINTERED FILTER
34	04795	O-RING 2-218 R16 70D BUNA
35	16732	O-RING 2-230 R17 90D BUNA
36	26448	SPACER
37	04062	BACK-UP WASHER
38	03973	COUPLER, 3/8MALE 3/8NPT FL.FACE
39	03972	COUPLER, 3/8FEM. 3/8NPT FL.FACE
42	04064	WASHER
43	04063	CUP SEAL
46	04071	SIDE ROD
49	20508	PIVOT SCREW
50	26596	ACCUMULATOR VALVE BLOCK
51	26574	ACCUMULATOR DIAPHRAGM
52	26449	ACCUMULATOR PLUG



Location	Part Number	Description
17	04070	PISTON
40	04068	FLOW SLEEVE TUBE
44	04054	O-RING 2-233 R17 90D BUNA
45	04069	FLOW SLEEVE
47	04065	AUTOMATIC VALVE
48	04571	PUSH PIN
53	04081	HEX BUSHING 1 1/8
53	04597	HEX BUSHING 1-1/4
54	04067	PUSH PIN
55	07890	ROLL PIN 3/16 X 1.5
56	04066	AUTOMATIC VALVE BODY
57	01269	SLEEVE
58	04985	SPRING WASHER
60	04983	FOOT LATCH BOLT
61	04598	FOOT ASSEMBLY
61	05466	BREAKER FOOT ASSY 1 1/8 HEX
61	05467	BREAKER FOOT ASSY 1 1/4 HEX
62	04073	O-RING 2-231 R17 90D BUNA
63	04074	ROD WIPER
64	05464	SEAL INSERT
65	34127	CUP SEAL
66	04075	SIDE ROD NUT
67	01837	LATCH CASTING
68	04984	STOP NUT
69	01744	SPRING (RATE 248# INS STRESS)
70	08411	DETENT
71	28322	STICKER "CE" 25MM
72	28409	COMPOSITE SAFETY DECAL
73	66655	GUARANTEED SOUND POWER LEVEL



HANDLE WITH TRIGGER LOCK
(EUROPEAN MODELS ONLY)

Location	Part Number	Description
13	29045	TRIGGER HANDLE
13	58529	TRIGGER HANDLE
14	26599	PIN
15	24964	SPRING
16	16607	SAE O-RING PLUG #10 HSH
18	24948	TRIGGER LOCK
19	31917	TRIGGER PIN
22	21089	ROLL PIN 1/4 X 1-3/8
94	00077	RETAINING RING
95	32297	SLOTTED TRUSS HD MACH SCREW